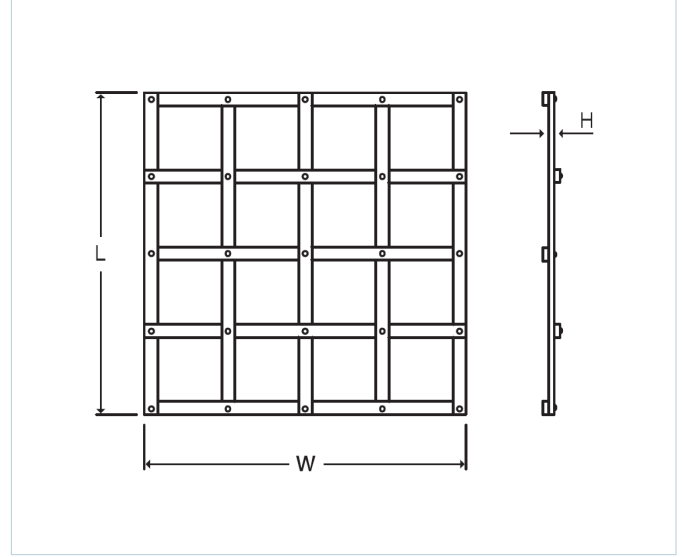
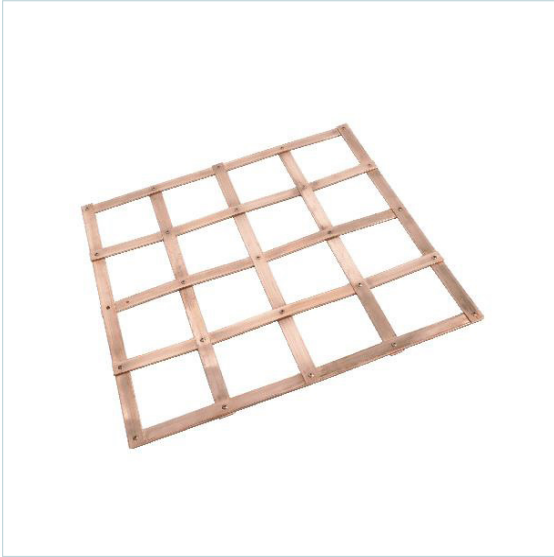


A.N. Wallis Solid Copper Lattice Earth Mat



Specification

Material Copper to BS EN 13601 (formerly BS 1432)
Tested BS EN 62561-2

Key Features

- Solid copper lattice mats offer a more economical cost option to installing solid copper plates
- They are often used for potential grading and are a preferred option on installations such as telecommunication towers, where touch and step potential could cause problems

Part Number	L (mm)	W (mm)	H (mm)	Surface Area (sqm)	Grid	Unit Weight (kg)	Pack Quantity
AN-EML603	600	600	3.0	0.31	5 Bar	4.00	1